

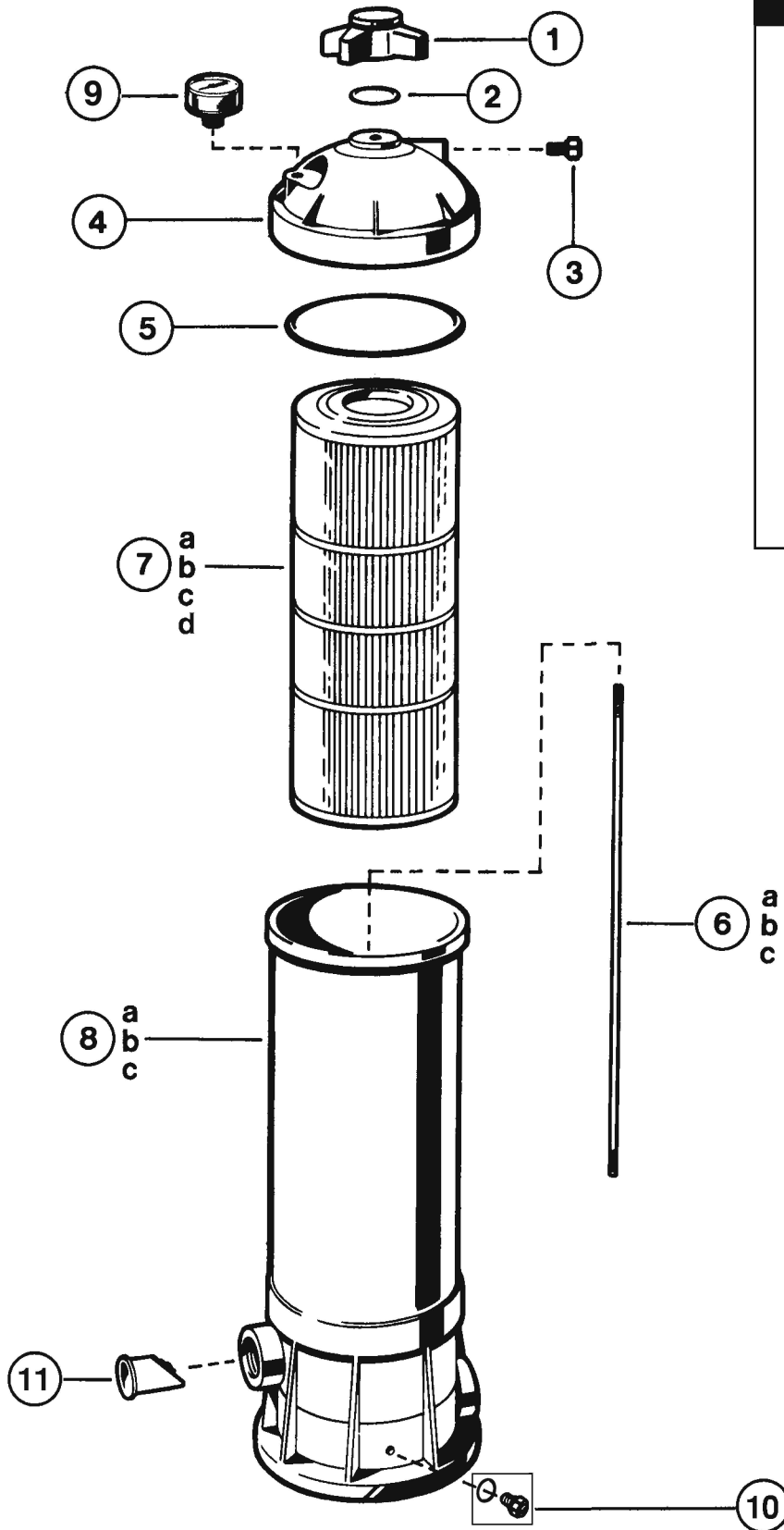


Star-Clear™

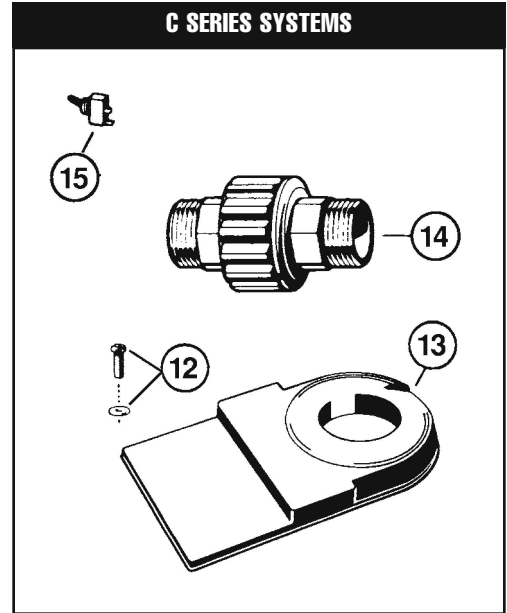
CARTRIDGE FILTER SERIES REPLACEMENT PARTS

Parts Diagram

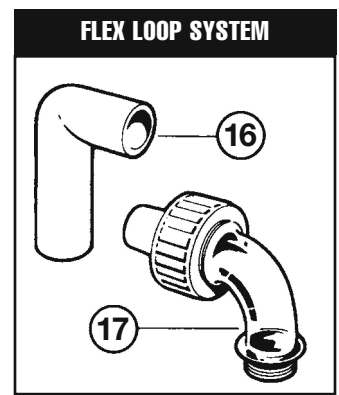
Filters



C SERIES SYSTEMS



FLEX LOOP SYSTEM





Filters

Parts Listing

Ref. No.	Part No.	Description	Ctn. Qty.	No. Req'd
1	CX250G	Locking Knob	5	1
2	CX250Z7	O-Ring	10	1
3	ECX1322A	Directional Vent Valve with O-Ring	25	1
4	CX250C	Filter Head (Dome) with Air Relief Valve	4	1
5	CX250F	Filter Head Gasket	10	1
6a	CX250Z2S	Tie Rod (C250), 18 9/32"	1	1
6b	CX500Z2S	Tie Rod (C500), 28 3/32"	1	1
6c	CX750Z2S	Tie Rod (C750, C100), 38 1/16"	1	1
7a	CX250RE	Cartridge Element (C250)	1	1
7b	CX500RE	Cartridge Element (C500)	1	1
7c	CX750RE	Cartridge Element (C750)	1	1
7d	CX1000RE	Cartridge Element (C100)	1	1
8a	CX250AA1	Filter Body with Tie Rod Assembly (C250)	1	1
8b	CX500AA1	Filter Body with Tie Rod Assembly (C500)	1	1
8c	CX750AA1	Filter Body with Tie Rod Assembly (C750, C100)	1	1
9	ECX27091	Pressure Gauge, Back Mount	10	1
10	CX250Z14A	Drain Plug Kit	10	1
11	ECX4077B1	Check Valve (optional)	10	1

C Series Systems

—	SPX1250WA	6 ft. Cord Set – No. 14/3 AWG	10	1
—	SPX1550WA	25 ft. Cord Set – No. 14/3 AWG	5	1
—	ECX1248	Cord Strain Relief	5	1
12	ECX1108A	Pump Mounting Screw with Washer	25	2
13	EC1161PAK	Platform Base with Screws – Low Profile	2	1
14	SP1480BLK	1 1/2" Male Union	50	1
15	ECX1325	Switch Assembly	5	1

Modular Flex Loop Systems

16	ECX1326A	Flex Loop Elbow	5	1
17	SPX14853	Sweep Elbow Union Assembly	5	1